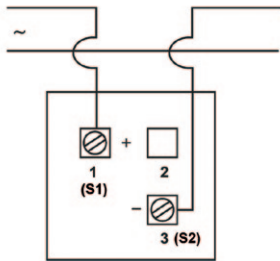
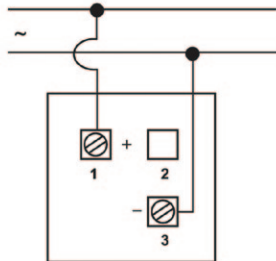


PANEL MOUNTING METERS

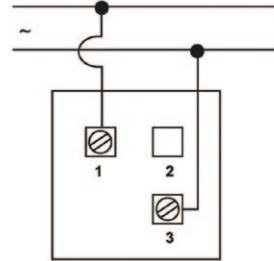
CONNECTION DIAGRAMS



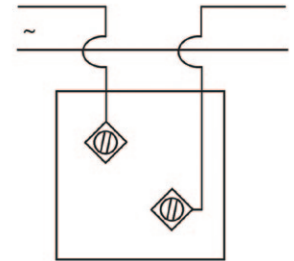
AC Ammeter



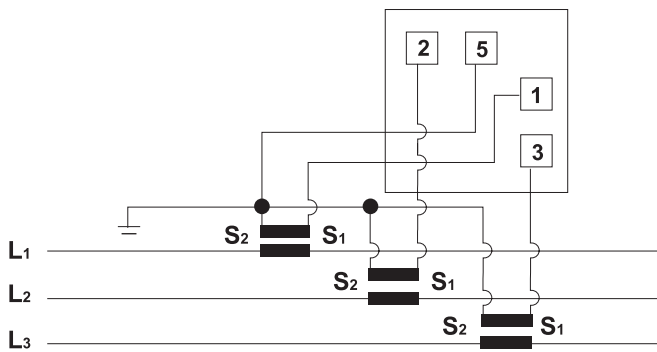
AC Voltmeter, Hour run meter



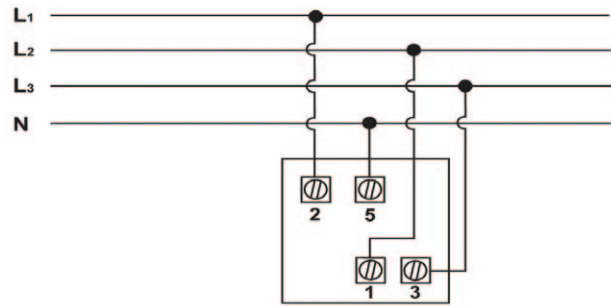
Hz meter



Maximum demand meter
(.../5A CT Connection)

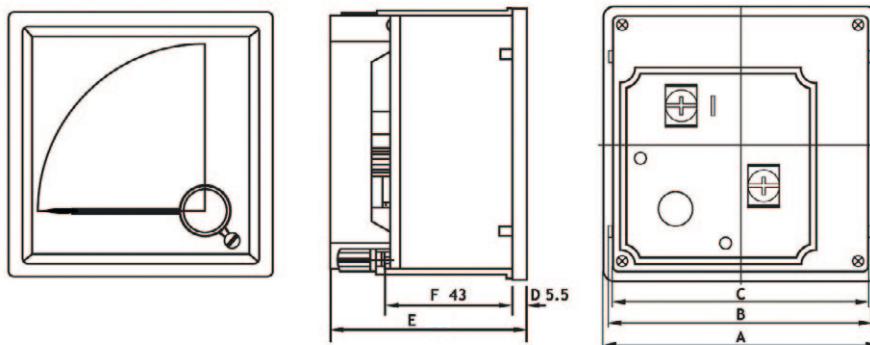


Ammeter with change over switch



Voltmeter with change over switch
for three phase four wire

DIMENSIONS IN mm AND INCHES



Model	Unit	A	B	C	D	E	F
96	mm	96	92	90	5.5	65	43
96	In	3.74	3.62	3.54	0.22	2.56	1.69
72	mm	72	68	66	5.5	65	43
72	In	2.83	2.68	2.60	0.22	2.56	1.69
48	mm	48	44	42	5.5	65	43
48	In	1.89	1.73	1.65	0.22	2.56	1.69

B for the size of panel cut-out.